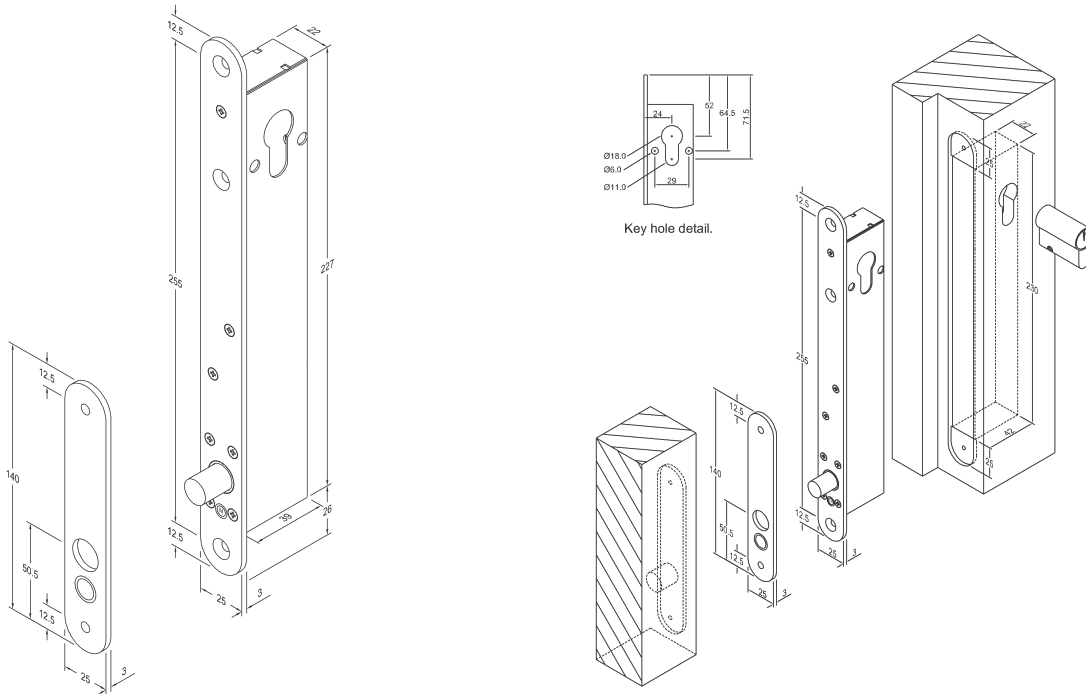


# Door Entry Direct

## TB25KO Drop Bolt



### TB25KO Drop Bolt Technical Information

Voltage	12 or 24Vdc
Current (Start)	1100mA @ 12V, 1000mA @ 24V
Current (Holding)	210mA @ 12V, 90mA @ 24V
Holding Force	1000kg
Locking Mode	PTL & PTO
Dimensions (Mortice)	164 x 22mm
Bolt Length	12.7 x 16mm
Faceplate Size	10 x 25mm
Monitoring Contacts	Bolt & Door

### Specification Statement

The bolt must be able to operate in horizontal and vertical orientations. The position of the bolt must be monitored as well as have an integrated reed switch for door position monitoring. The electronic functions must include: 8 x lock and unlock attempts, 8 second unlock delay, automatic relock after 8 seconds, power reduction circuitry to limit the holding current, and a one time thermal fuse cut-out in case of solenoid overheating. Locking function can be converted from Power to Lock (PTL) to Power to Open (PTO). The faceplate and strike plate must be finished in stainless steel. In the event of a power failure the lock must be mechanically overridden by means of a cylinder.

### Ordering Information

Product Description	Part Number
TB25KO 12-24VDC Fail Safe 25mm F/P	118251-500
TB25KO 12-24VDC Fail Secure 25mm	118252-500
TB25KO 12-24VDC Fail Safe	188251-510
TB25KO 12-24VDC Fail Secure	188252-510